



UNITED
Engineering Corporation

Thermodynamic Steam Trap With Inbuilt Strainer



SIZES :

15mm to 25mm. (1/2" to 1")

OPERATING CONDITIONS :

Max. operating pressure 42 bar

Max. operating temp. 425°C

Min. operating pressure 0.3 bar.

Min. back pressure - 80%

PIPE CONNECTIONS :

Threaded to BSP / BSPT / NPT

Socket weld to ANSI B 16.11

Flanged - CI 150 / CI 300 / DIN

INSTALLATION :

Preferably in a horizontal position.

OPTIONAL :

IBR - Non IBR

Isotubs

Filter cap with blow down cock.

Flanges integral or weld on type.



UNITED Engineering Corporation

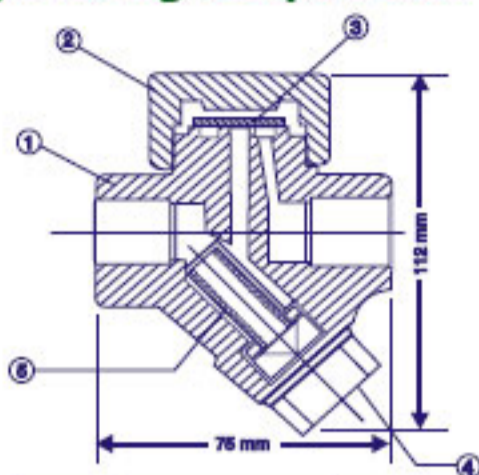
Quality Solutions for Flow Control Requirements

20/22, Nagdevi Street, P.B.No. 3450, Mumbai - 400 003 ■ : +91-22-2343 6281 / 2341 5519 / 2341 2537 Fax : +91-22-2340 0211

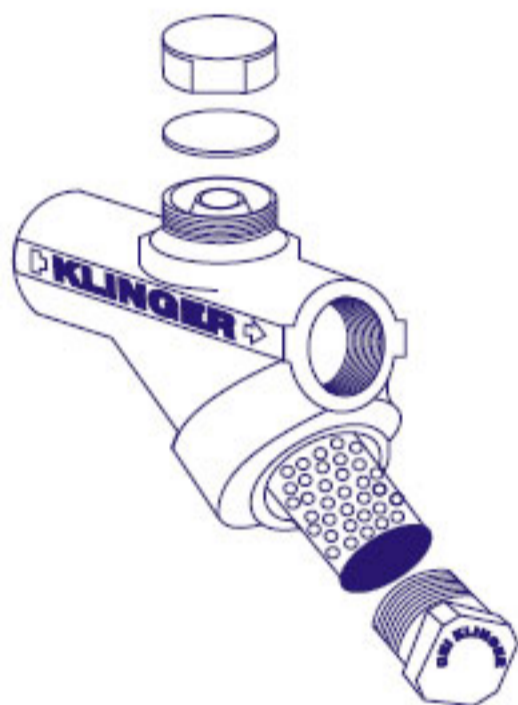
E-mail : sales@valves-n-actuators.com / flowlineengineers@vsnl.com Visit us at : www.valves-n-actuators.com



UNITED Engineering Corporation



Sr. No.	Part list	Standard Material
1	Body	AISI420
2	Main Bore Cap	AISI420
3	Disc	AISI420
4	Filter Cap	AISI420
5	Filter	AISI420



HOW TO SERVICE :

Unscrew the main bore cap using spanner. If the wear on the surface of the disc and body seat, is minor, they can be refaced by lapping individually on a flat surface.

If the wear on the seating surface of body is major, then seating surface must be ground and lapped. The total amount of metal removed in this way should not exceed 0.3mm. The disc, however, may be replaced by a new one.

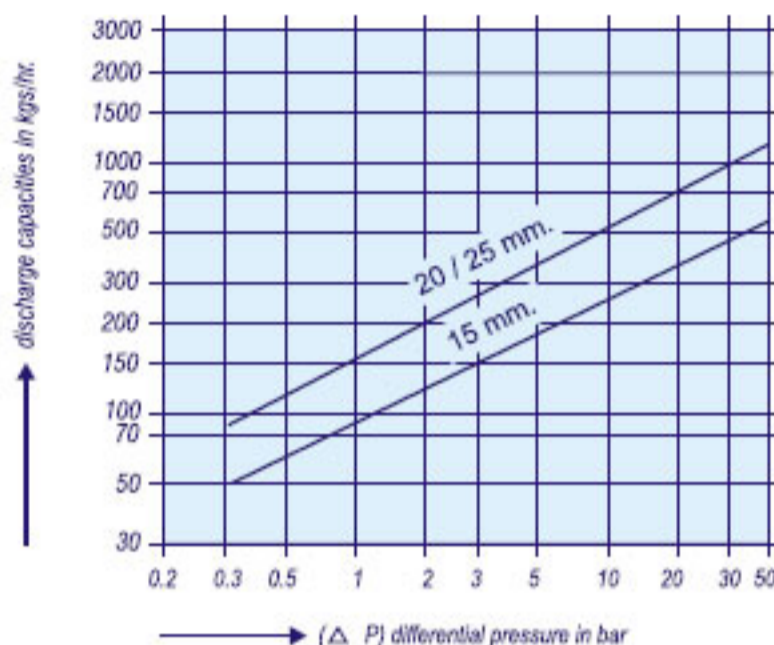
While re-assembling, suitable high temperature antiseize grease should be applied to threads.

The disc is placed with the grooved side in contact with the body seating surface. Then screw the cover and tighten it with suitable torque. Ensure, the disc is free, by shaking the trap.

HOW TO CLEAN OR REPLACE FILTER

Unscrew filter cap using spanner. Withdraw filter and clean. If damaged, replace with new one.

FLOW CAPACITIES



Also available :

Products- Piston Valves Strainers - ' T ' Type

Products- Steam Traps - Thermodynamic, Thermostatic, IBT, / Ball Float Traps/ Bellow Sealed Valve / Manual & Actuated Ball & Butterfly Valves / Cryogenic Piston Valves, /Strainers - ' Y ' Type,/ Level Gauges - Reflex, Transparent, Bicolor.

In view of technical progress designs and dimensions are subject to change without notice.



UNITED Engineering Corporation

Quality Solutions for Flow Control Requirements

20/22, Nagdevi Street, P.B.No. 3450, Mumbai - 400 003 ■ : +91-22-2343 6281 / 2341 5519 / 2341 2537 Fax : +91-22-2340 0211

E-mail : sales@valves-n-actuators.com / flowlineengineers@vsnl.com Visit us at : www.valves-n-actuators.com